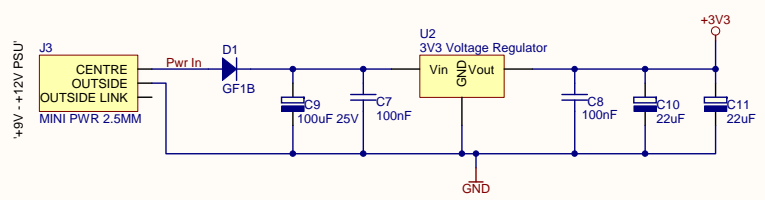


6MHz with x4 PLL = 24MHz
 (Max possible speed for this device powered at 3.3V)

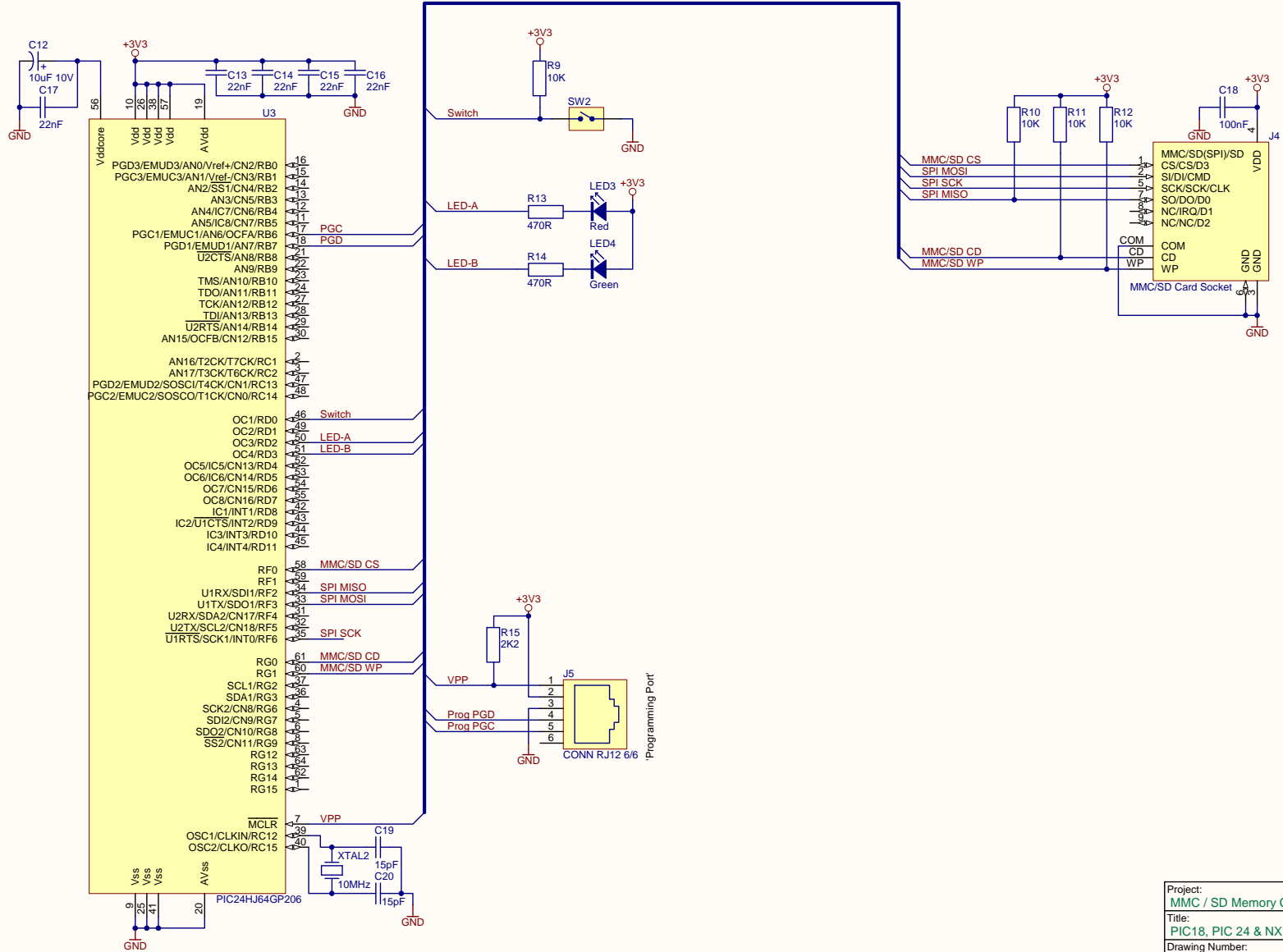


1.03	Added LPC2365 circuit.
1.02	Changed PIC 18 to PIC18LF4620 and added PIC24HJ64GP206 circuit.
1.01	Moved 'MMC/SD CD' from PIC pin RC0 to RC2 to match code.
1.00	Original release
Rev.	Notes

Project:
MMC / SD Memory Card Driver
 Title:
PIC18, PIC 24 & NXP LPC23xx Sample Project Circuits
 Drawing Number: 3563-005
 Rev: 1.03
 Sheet: 1 of 3

IMPORTANT: THIS DESIGN IS COPYRIGHT OF EMBEDDED-CODE.COM AND IS SUBJECT TO A LICENCE AGREEMENT. ALL RIGHTS RESERVED. UNAUTHORISED USE, REPRODUCTION OR DISTRIBUTION OF THIS DESIGN MAY LEAD TO PROSECUTION. ENQUIRIES TO INFO@EMBEDDED-CODE.COM






Project:
MMC / SD Memory Card Driver

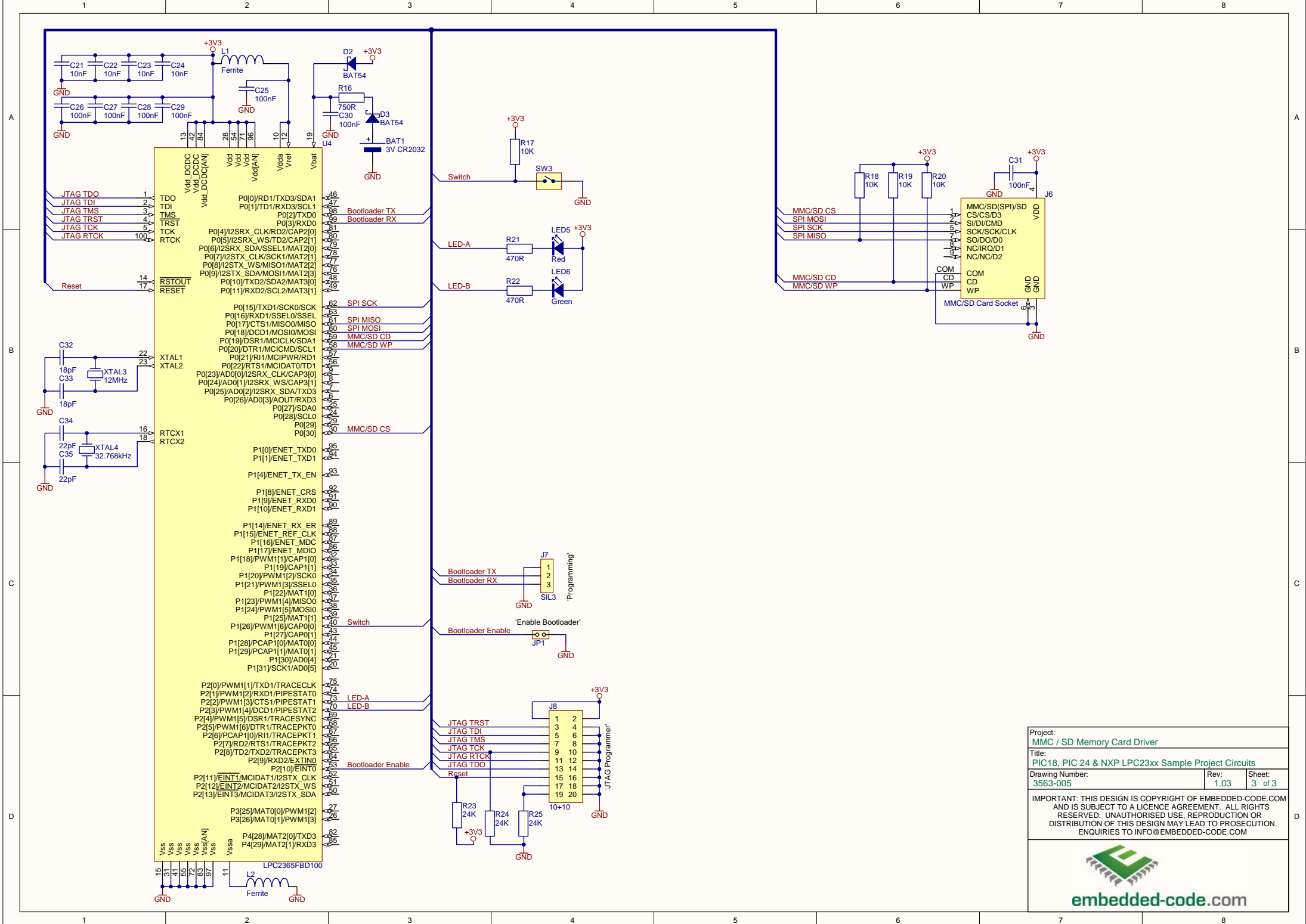
Title:
PIC18, PIC 24 & NXP LPC23xx Sample Project Circuits

Drawing Number: 3563-005 Rev: 1.03 Sheet: 2 of 3

IMPORTANT: THIS DESIGN IS COPYRIGHT OF EMBEDDED-CODE.COM AND IS SUBJECT TO A LICENCE AGREEMENT. ALL RIGHTS RESERVED. UNAUTHORISED USE, REPRODUCTION OR DISTRIBUTION OF THIS DESIGN MAY LEAD TO PROSECUTION. ENQUIRIES TO INFO@EMBEDDED-CODE.COM



embedded-code.com




Project:
MMC / SD Memory Card Driver

Title:
PIC18, PIC 24 & NXP LPC23xx Sample Project Circuits

Drawing Number: 3563-005 Rev: 1.03 Sheet: 3 of 3

IMPORTANT: THIS DESIGN IS COPYRIGHT OF EMBEDDED-CODE.COM AND IS SUBJECT TO A LICENCE AGREEMENT. ALL RIGHTS RESERVED. UNAUTHORISED USE, REPRODUCTION OR DISTRIBUTION OF THIS DESIGN MAY LEAD TO PROSECUTION. ENQUIRIES TO INFO@EMBEDDED-CODE.COM



embedded-code.com