
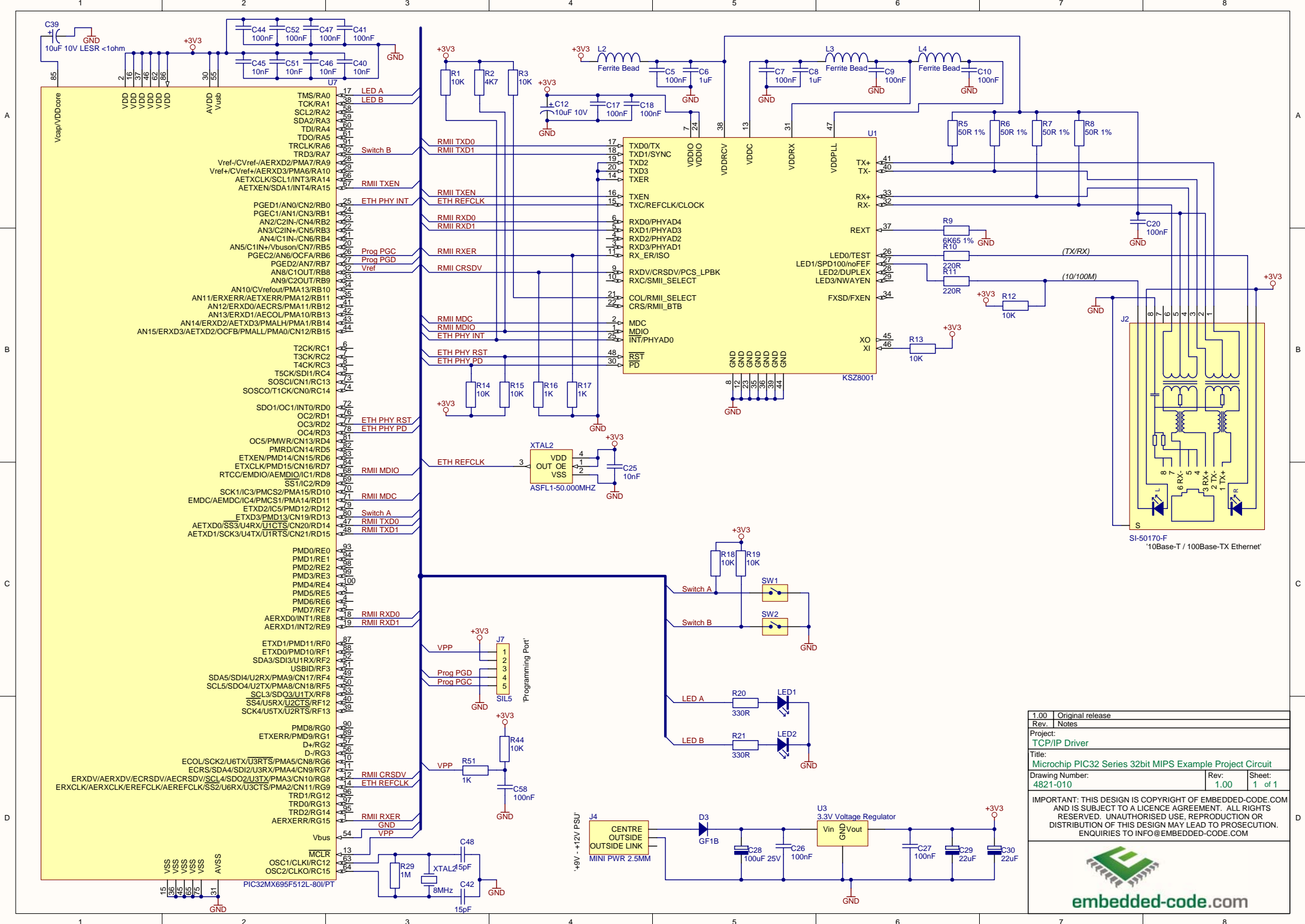



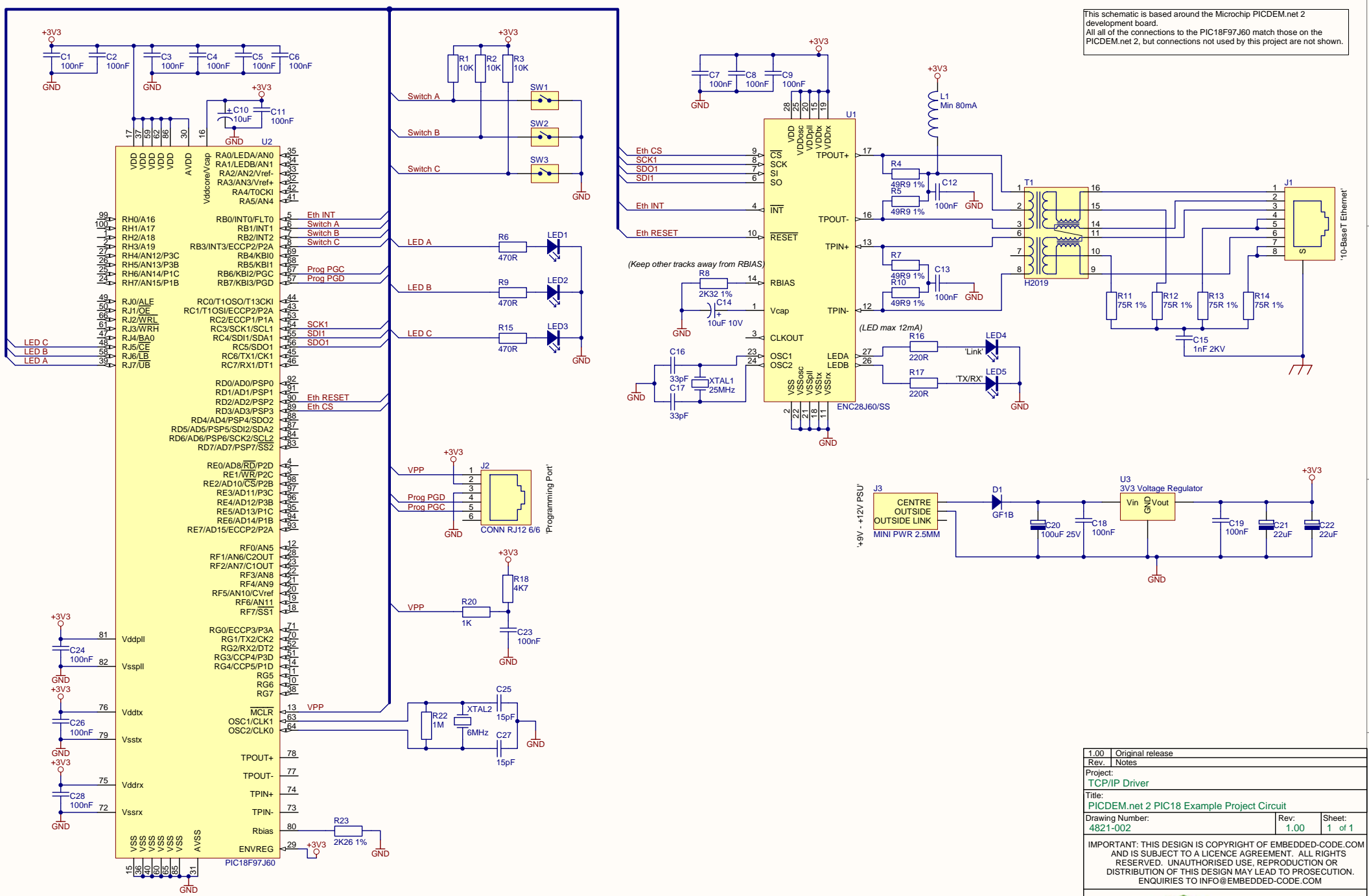
1.00	Original release
Rev.	Notes
Project: TCP/IP Driver	
Title: NXP LPC2000 Series 32bit ARM Example Project Circuit	
Drawing Number: 4821-009	Rev: 1.00
	Sheet: 1 of 1

IMPORTANT: THIS DESIGN IS COPYRIGHT OF EMBEDDED-CODE.COM AND IS SUBJECT TO A LICENCE AGREEMENT. ALL RIGHTS RESERVED. UNAUTHORISED USE, REPRODUCTION OR DISTRIBUTION OF THIS DESIGN MAY LEAD TO PROSECUTION. ENQUIRIES TO INFO@EMBEDDED-CODE.COM





1.00	Original release		
Rev.	Notes		
Project: TCP/IP Driver			
Title: Microchip PIC32 Series 32bit MIPS Example Project Circuit			
Drawing Number: 4821-010	Rev: 1.00	Sheet: 1 of 1	
IMPORTANT: THIS DESIGN IS COPYRIGHT OF EMBEDDED-CODE.COM AND IS SUBJECT TO A LICENCE AGREEMENT. ALL RIGHTS RESERVED. UNAUTHORISED USE, REPRODUCTION OR DISTRIBUTION OF THIS DESIGN MAY LEAD TO PROSECUTION. ENQUIRIES TO INFO@EMBEDDED-CODE.COM			
			

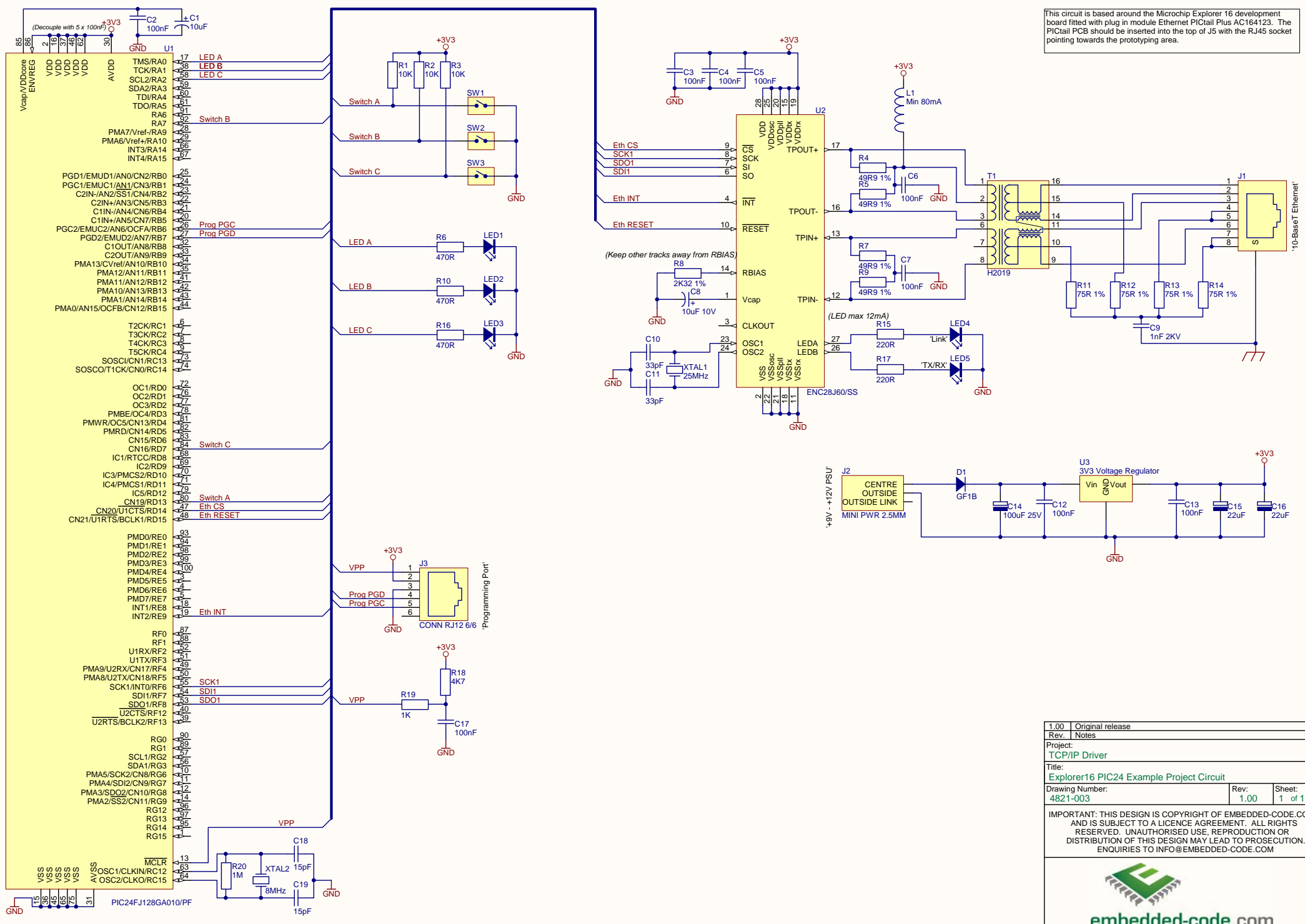


This schematic is based around the Microchip PICDEM.net 2 development board. All all of the connections to the PIC18F97J60 match those on the PICDEM.net 2, but connections not used by this project are not shown.

1.00	Original release
Rev.	Notes
Project: TCP/IP Driver	
Title: PICDEM.net 2 PIC18 Example Project Circuit	
Drawing Number: 4821-002	Rev: 1.00 Sheet: 1 of 1

IMPORTANT: THIS DESIGN IS COPYRIGHT OF EMBEDDED-CODE.COM AND IS SUBJECT TO A LICENCE AGREEMENT. ALL RIGHTS RESERVED. UNAUTHORISED USE, REPRODUCTION OR DISTRIBUTION OF THIS DESIGN MAY LEAD TO PROSECUTION. ENQUIRIES TO INFO@EMBEDDED-CODE.COM





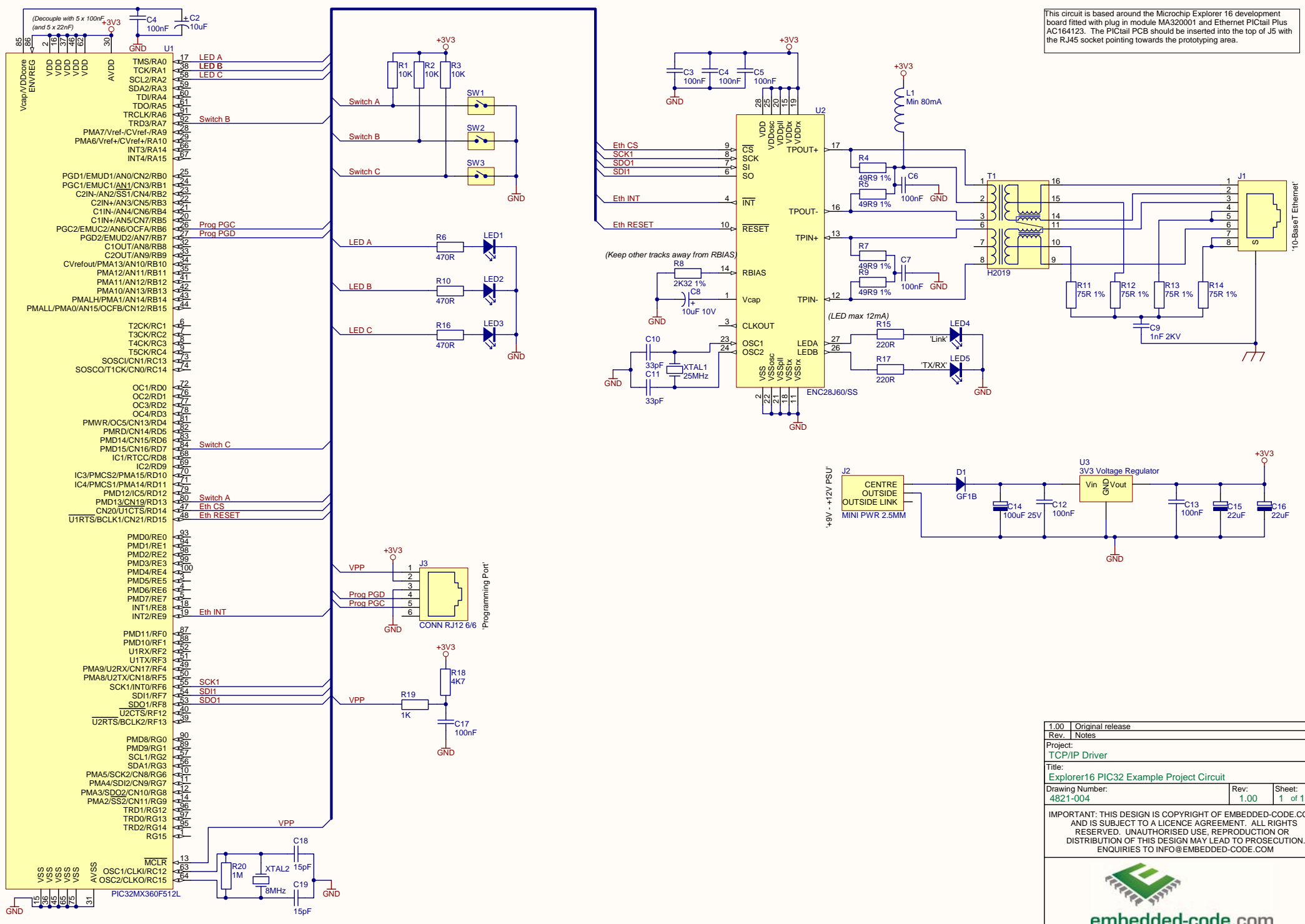
This circuit is based around the Microchip Explorer 16 development board fitted with plug in module Ethernet PICtail Plus AC164123. The PICtail PCB should be inserted into the top of J5 with the RJ45 socket pointing towards the prototyping area.

1.00	Original release
Rev.	Notes
Project:	
TCP/IP Driver	
Title:	
Explorer16 PIC24 Example Project Circuit	
Drawing Number:	Rev.
4821-003	1.00
Sheet:	1 of 1

IMPORTANT: THIS DESIGN IS COPYRIGHT OF EMBEDDED-CODE.COM AND IS SUBJECT TO A LICENCE AGREEMENT. ALL RIGHTS RESERVED. UNAUTHORISED USE, REPRODUCTION OR DISTRIBUTION OF THIS DESIGN MAY LEAD TO PROSECUTION. ENQUIRIES TO INFO@EMBEDDED-CODE.COM



embedded-code.com

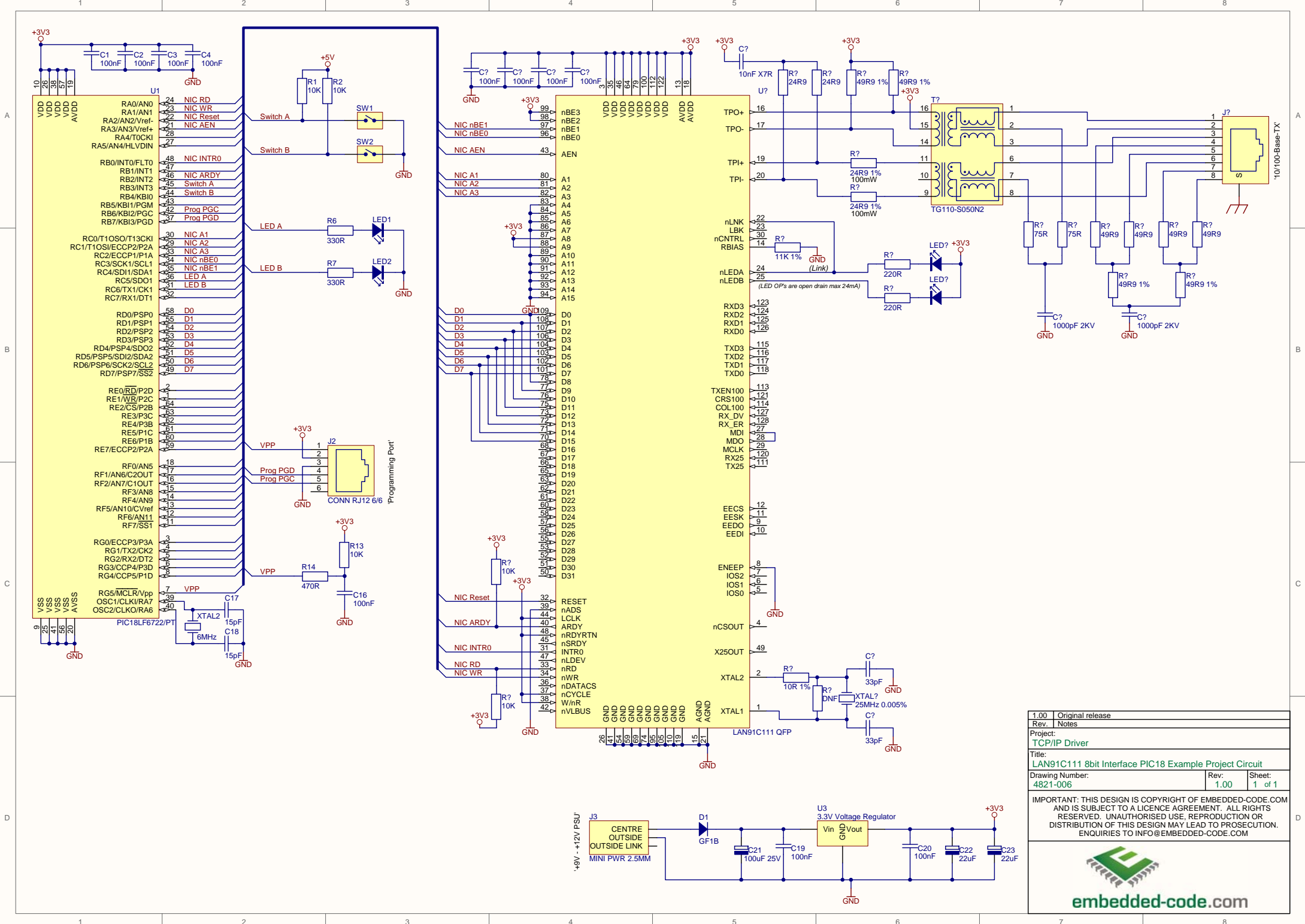



This circuit is based around the Microchip Explorer 16 development board fitted with plug in module MA320001 and Ethernet PICtail Plus AC164123. The PICtail PCB should be inserted into the top of J5 with the RJ45 socket pointing towards the prototyping area.

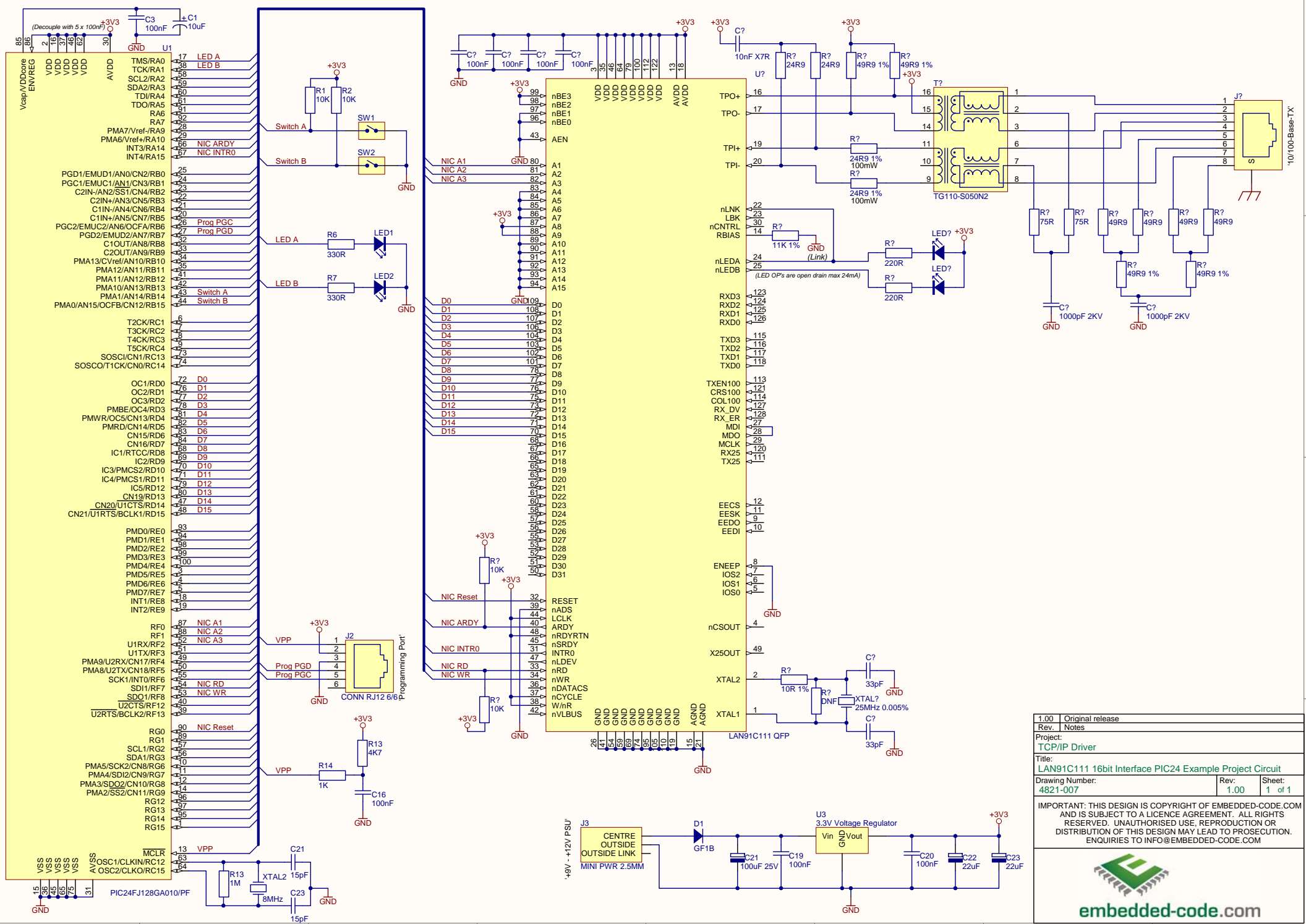
1.00	Original release
Rev.	Notes
Project:	
TCP/IP Driver	
Title:	
Explorer16 PIC32 Example Project Circuit	
Drawing Number:	Rev.
4821-004	1.00
Sheet:	1 of 1


IMPORTANT: THIS DESIGN IS COPYRIGHT OF EMBEDDED-CODE.COM AND IS SUBJECT TO A LICENCE AGREEMENT. ALL RIGHTS RESERVED. UNAUTHORISED USE, REPRODUCTION OR DISTRIBUTION OF THIS DESIGN MAY LEAD TO PROSECUTION. ENQUIRIES TO INFO@EMBEDDED-CODE.COM

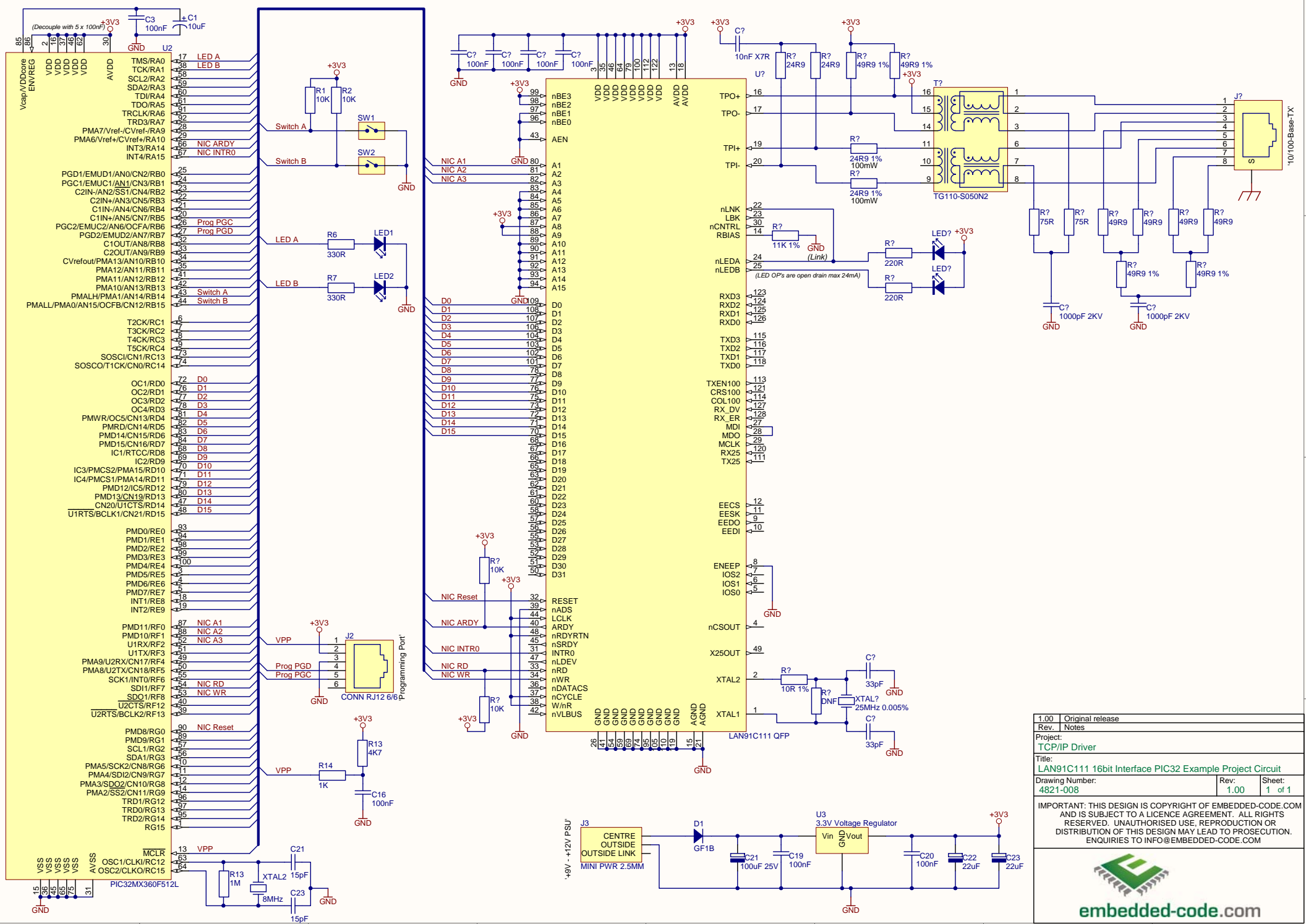




1.00	Original release
Rev.	Notes
Project:	
TCP/IP Driver	
Title:	
LAN91C111 8bit Interface PIC18 Example Project Circuit	
Drawing Number:	Rev. Sheet:
4821-006	1.00 1 of 1
IMPORTANT: THIS DESIGN IS COPYRIGHT OF EMBEDDED-CODE.COM AND IS SUBJECT TO A LICENCE AGREEMENT. ALL RIGHTS RESERVED. UNAUTHORISED USE, REPRODUCTION OR DISTRIBUTION OF THIS DESIGN MAY LEAD TO PROSECUTION. ENQUIRIES TO INFO@EMBEDDED-CODE.COM	
 embedded-code.com	




1.00	Original release
Rev.	Notes
Project: TCP/IP Driver	
Title: LAN91C111 16bit Interface PIC24 Example Project Circuit	
Drawing Number: 4821-007	Rev. 1.00
	Sheet: 1 of 1
IMPORTANT: THIS DESIGN IS COPYRIGHT OF EMBEDDED-CODE.COM AND IS SUBJECT TO A LICENCE AGREEMENT. ALL RIGHTS RESERVED. UNAUTHORISED USE, REPRODUCTION OR DISTRIBUTION OF THIS DESIGN MAY LEAD TO PROSECUTION. ENQUIRIES TO INFO@EMBEDDED-CODE.COM	
 embedded-code.com	

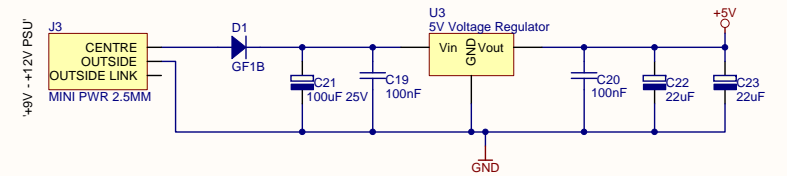
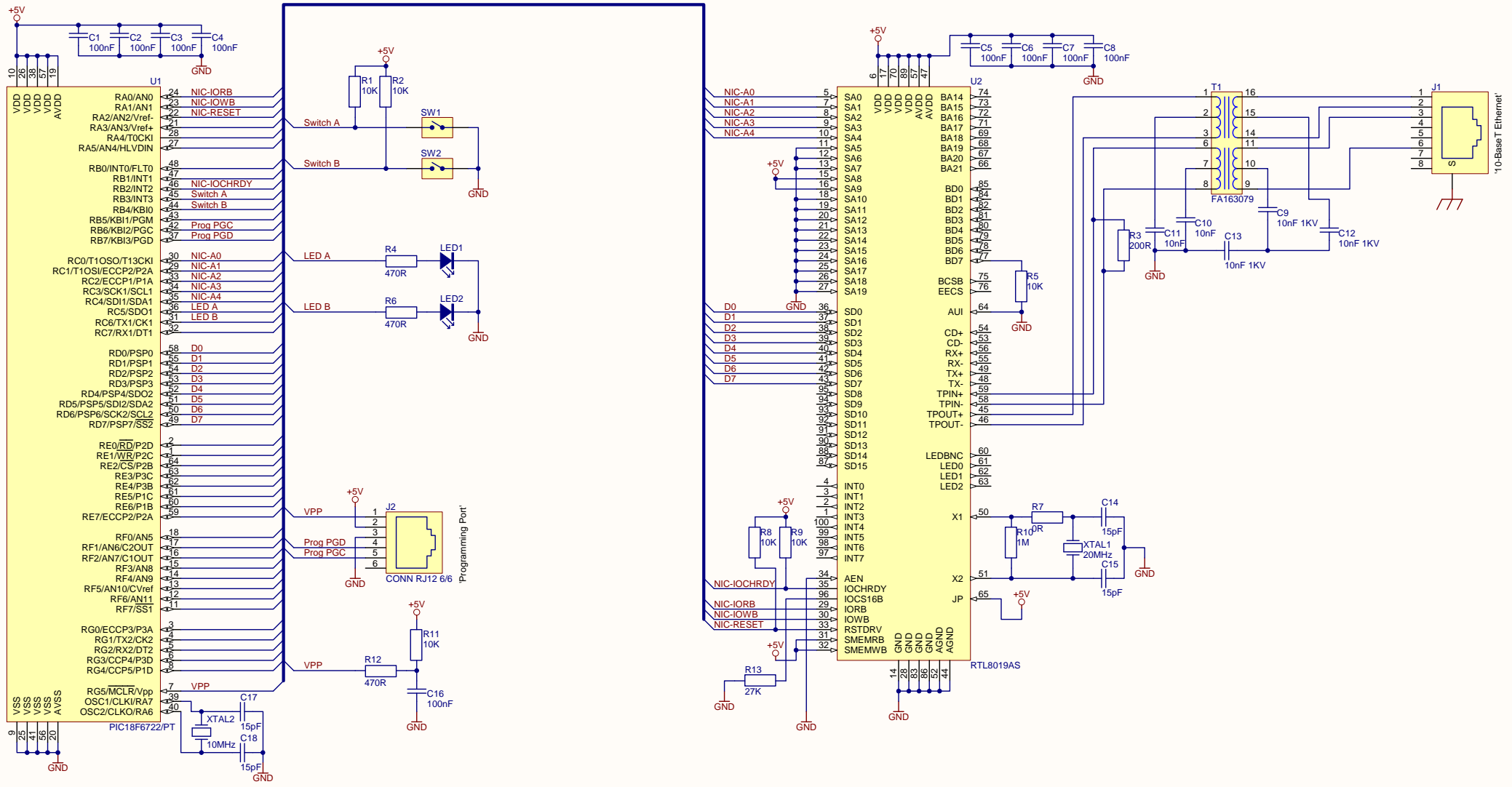



1.00	Original release
Rev.	Notes
Project: TCP/IP Driver	
Title: LAN91C111 16bit Interface PIC32 Example Project Circuit	
Drawing Number: 4821-008	Rev.: 1.00
	Sheet: 1 of 1

IMPORTANT: THIS DESIGN IS COPYRIGHT OF EMBEDDED-CODE.COM AND IS SUBJECT TO A LICENCE AGREEMENT. ALL RIGHTS RESERVED. UNAUTHORISED USE, REPRODUCTION OR DISTRIBUTION OF THIS DESIGN MAY LEAD TO PROSECUTION. ENQUIRIES TO INFO@EMBEDDED-CODE.COM



embedded-code.com



1.00	Original release		
Rev.	Notes		
Project:			
TCP/IP Driver			
Title:			
RTL8019AS 8bit Interface PIC18 Example Project Circuit			
Drawing Number:		Rev:	Sheet:
4821-005		1.00	1 of 1
IMPORTANT: THIS DESIGN IS COPYRIGHT OF EMBEDDED-CODE.COM AND IS SUBJECT TO A LICENCE AGREEMENT. ALL RIGHTS RESERVED. UNAUTHORISED USE, REPRODUCTION OR DISTRIBUTION OF THIS DESIGN MAY LEAD TO PROSECUTION. ENQUIRIES TO INFO@EMBEDDED-CODE.COM			
 embedded-code.com			